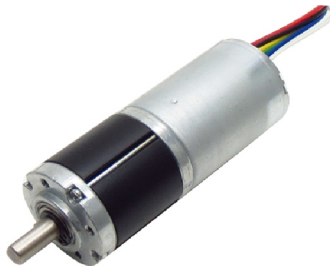




PG28BL28

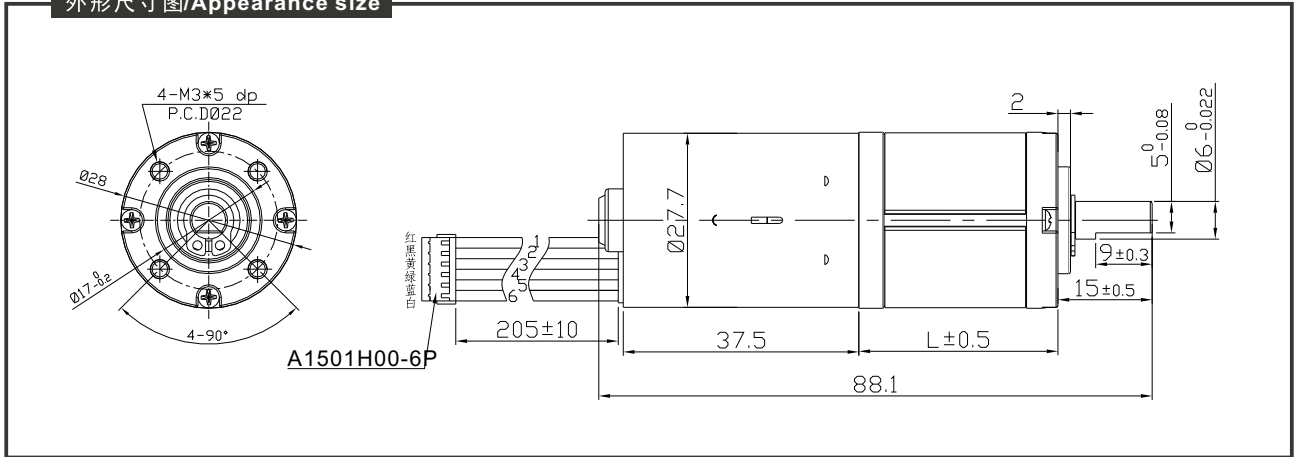


适用范围/Typical applications:

蠕动泵、微型数控设备、自动取款机、输卡机、遥控窗帘、过胶机、油印机、办公设备、家用电器、自动执行器等。

Peristaltic pump, Micro CNC equipment, ATM bank automatic system, Card conveyors, Auto shutter, Binding machine, Mimeograph, Office equipment, Household appliances, Automatic actuator.

外形尺寸图/Appearance size



齿轮箱清单/Gearbox data:

级数 Number of stages	1 stages reduction	2 stages reduction	3 stages reduction	4stages reduction	5stages reduction
减速比Reduction ratio	3.3, 4.6	11.2, 15.5, 21.5	37.7, 52.1, 72, 100,	126, 174, 241, 334, 462,	423, 585, 810, 1120, 1549, 2142,
齿轮箱长度 Gearbox length "L" mm	20.2	25.9	31.7	37.5	43.3
最大额定力矩 Max. Running torque	5.0Kgf · cm	10.0Kgf · cm	25Kgf · cm	25Kgf · cm	25Kgf · cm
最大损坏扭力 Max. Gear breaking torque	15.0Kgf · cm	30.0Kgf · cm	75Kgf · cm	75Kgf · cm	75Kgf · cm
效率Gearing efficiency	90%	81%	73%	65%	59%

马达清单/Motor data:

马达型号 Motor name	额定电压 Rated Volt. V	空载No load		负载扭矩Load torque				堵转扭矩Stall torque	
		Current	Speed	Current	Speed	Torque	Output power	Torque	Current
		mA	r/min	mA	r/min	gf · cm	W	gf · cm	mA
BL28-126000	12	≤90	6000	≤270	5152	79.3	4.1	507	1380
BL28-246000	24	≤100	6000	≤280	5157	80.7	4.3	515	1383

1、减速后的输出力矩 = 马达力矩 X 减速比 X 齿轮效率。输出转速 = 马达转速 / 减速比。

1、 After connecting motor and gearbox which is named gearmotor the output torque: motor torque X reduction ratio X gearing efficiency; output speed: motor speed / reduction ratio.

电机使用示意图

