

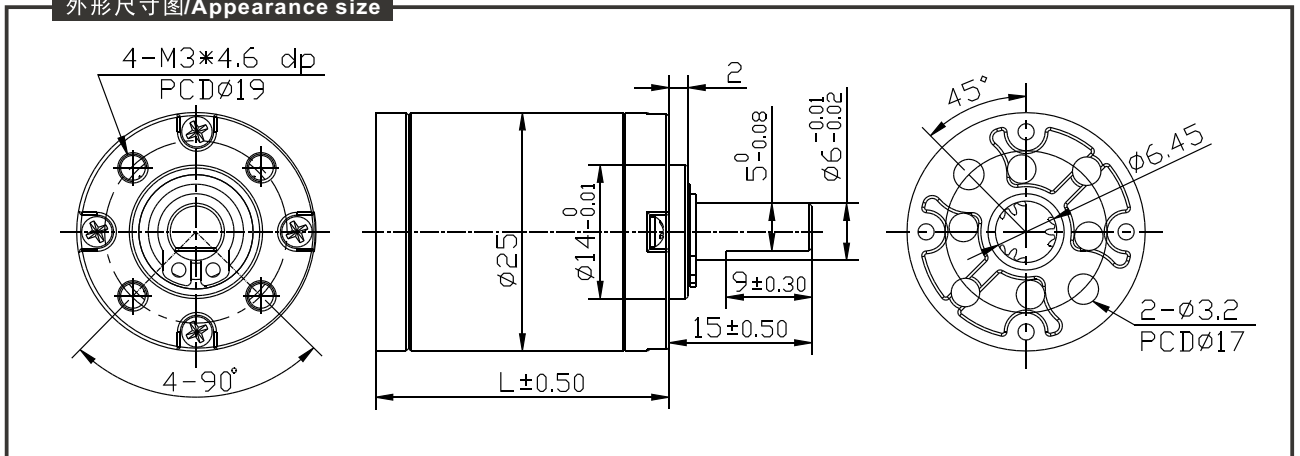
PG25



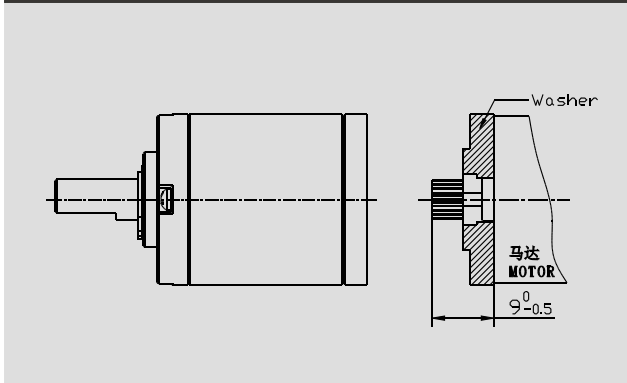
Note:

- 1、外壳材质(Housing material): metal
- 2、背隙,无负荷时 (Backlash, at no-load): $\leq 1.2^\circ$
- 3、轴承型号 (Bearing at output): Sleeve bearings
- 4、径向间隙 (Radial play of shaft): $\leq 0.05\text{mm}$
- 5、轴向间隙 (Thrust play shaft): $\leq 0.2\text{mm}$
- 6、齿轮箱适用于RF-370马达。
(The gear box can apply to RF-370 motors.)
- 7、警告: 齿轮箱齿轮极限扭矩 (损毁扭矩) 30kgf.cm。当使用低转速、高速比时, 尽量请选用低功率电机, 使用时请做好保护措施。
(Attention: The breaking torque of the gear box is 30kgf.cm. When the motors using at low speed, high gear ratio, please choose low power motors, and do protection measurements.)

外形尺寸图/Appearance size



马达装卸方法/Motor Installation



马达齿轮参数/Pinion Specifications

| 模数 Module | 0.4 | 0.4 |
|------------------------|---|--|
| 齿数 NO. of teeth | 12 | 15 |
| 压力角 Pressure angle | 20° | |
| 孔径 Hole diameter | 1.98, 8, | |
| 减速比 Reduction ratio | 4.25, 15.3, 18, 55, 65, 76.8, 198, 234, 276, 326, 713, 842, 994, 1174, 1386 | 3.6, 13, 36, 46.7, 114, 130, 168, 467, 604.6 |

使用温度范围/Operating temperature range: $-10^\circ\text{C} \sim +60^\circ\text{C}$

使用相对湿度/Operating relative humidity: 20%~85%RH

标准减速比参数/Gearboxes Specifications

| 减速比 Reduction ratio | 精确减速比 Reduction absolute | 额定允许扭力 Rated tolerance torque | 极限扭矩 Max breaking torque | 效率 Efficiency | 级数 Number of stages | 齿轮箱长度 Gearbox length "L" mm |
|------------------------------------|---|----------------------------------|-----------------------------|------------------|------------------------|--------------------------------|
| 3.6, 4.25 | 33/5, 41/4 | 3.0kgf·cm | 9.0kgf·cm | 90% | 1 | 18.3 |
| 13, 15.3, 18 | 1224/25, 153/10, 191/16 | 5.0kgf·cm | 15.0kgf·cm | 81% | 2 | 25.0 |
| 36, 46.7, 55, 65, 76.8 | 361/10, 4682/125, 552/25 651/40, 7649/64 | 10.0kgf·cm | 30.0kgf·cm | 73% | 3 | 30.8 |
| 114, 130, 168, 198, 234, 276, 326 | 11419/60, 12924/25, 167601/625 198.288, 234.09, 276.36, 326.25 | 10.0kgf·cm | 30.0kgf·cm | 65% | 4 | 36.6 |
| 467, 604, 713, 842 994, 1174, 1386 | 467.856, 604.66, 713.84, 842.724 994.8825, 1174.514, 1386.579 | 10.0kgf·cm | 30.0kgf·cm | 59% | 5 | 42.4 |